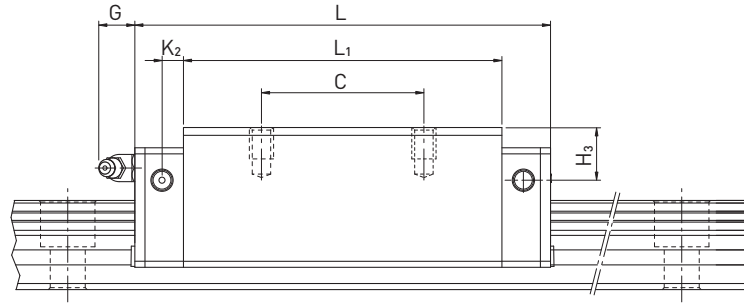
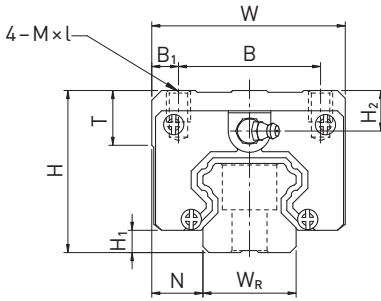
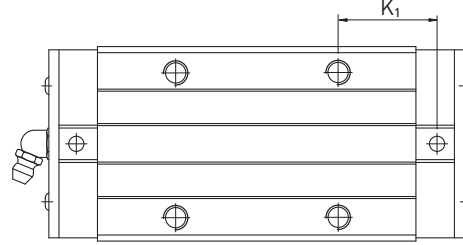
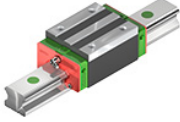


HG serisinin Ölçüleri

HGH-CA / HGH-HA

Dar /Dar Uzun Bloklar

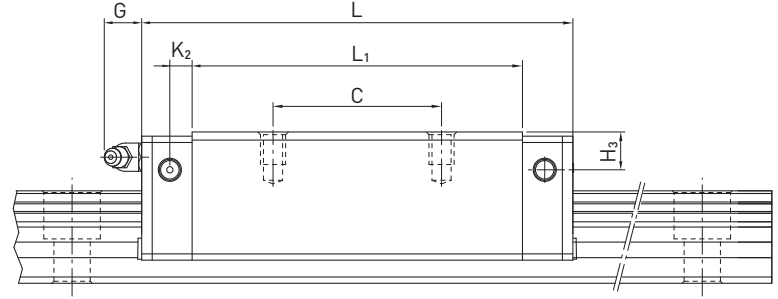
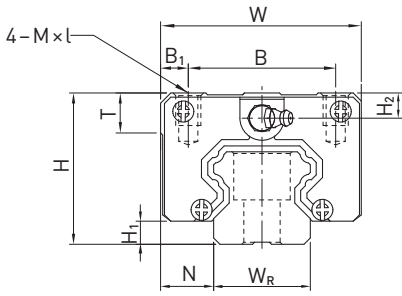
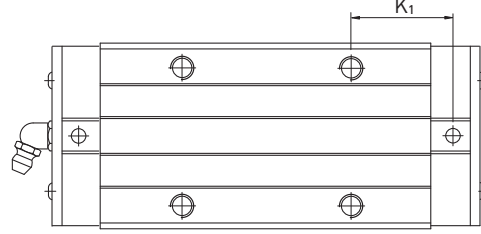
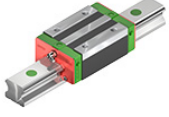


Blok Ölçüleri

| Seri | Montaj Ölç. (mm) | | | Blok ölçüleri (mm) | | | | | | | | | | | | | Yük De eri (N) | | A ir. (kg) |
|---------|------------------|----------------|------|--------------------|------|----------------|-----|----------------|-------|----------------|----------------|------|----------|------|----------------|----------------|------------------|----------------|------------|
| | H | H ₁ | N | W | B | B ₁ | C | L ₁ | L | K ₁ | K ₂ | G | M x l | T | H ₂ | H ₃ | C _{dyn} | C ₀ | |
| HGH15CA | 28 | 4,3 | 9,5 | 34 | 26,0 | 4,0 | 26 | 39,4 | 61,4 | 10,00 | 4,85 | 5,3 | M4 x 5 | 6,0 | 7,95 | 7,7 | 11380 | 16970 | 0,18 |
| HGH20CA | 30 | 4,6 | 12,0 | 44 | 32,0 | 6,0 | 36 | 50,5 | 77,5 | 12,25 | 6,00 | 12,0 | M5 x 6 | 8,0 | 6,00 | 6,0 | 17750 | 27760 | 0,30 |
| HGH20HA | | | | | | | 50 | 65,2 | 92,2 | 12,60 | | | | | | | 21180 | 35900 | 0,39 |
| HGH25CA | 40 | 5,5 | 12,5 | 48 | 35,0 | 6,5 | 35 | 58,0 | 84,0 | 16,80 | 6,00 | 12,0 | M6 x 8 | 8,0 | 10,00 | 9,0 | 26480 | 36490 | 0,51 |
| HGH25HA | | | | | | | 50 | 78,6 | 104,6 | 19,60 | | | | | | | 32750 | 49440 | 0,69 |
| HGH30CA | 45 | 6,0 | 16,0 | 60 | 40,0 | 10,0 | 40 | 70,0 | 97,4 | 20,25 | 6,00 | 12,0 | M8 x 10 | 8,5 | 9,50 | 13,8 | 38740 | 52190 | 0,88 |
| HGH30HA | | | | | | | 60 | 93,0 | 120,4 | 21,75 | | | | | | | 47270 | 69160 | 1,16 |
| HGH35CA | 55 | 7,5 | 18,0 | 70 | 50,0 | 10,0 | 50 | 80,0 | 112,4 | 20,60 | 7,00 | 12,0 | M8 x 12 | 10,2 | 16,00 | 19,6 | 49520 | 69160 | 1,45 |
| HGH35HA | | | | | | | 72 | 105,8 | 138,2 | 22,50 | | | | | | | 60210 | 91630 | 1,92 |
| HGH45CA | 70 | 9,5 | 20,5 | 86 | 60,0 | 13,0 | 60 | 97,0 | 139,4 | 23,00 | 10,00 | 12,9 | M10 x 17 | 16,0 | 18,50 | 30,5 | 77570 | 102710 | 2,73 |
| HGH45HA | | | | | | | 80 | 128,8 | 171,2 | 28,90 | | | | | | | 94540 | 136460 | 3,61 |
| HGH55CA | 80 | 13,0 | 23,5 | 100 | 75,0 | 12,5 | 75 | 117,7 | 166,7 | 27,35 | 11,00 | 12,9 | M12 x 18 | 17,5 | 22,00 | 29,0 | 114440 | 148330 | 4,17 |
| HGH55HA | | | | | | | 95 | 155,8 | 204,8 | 36,40 | | | | | | | 139350 | 196200 | 5,49 |
| HGH65CA | 90 | 15,0 | 31,5 | 126 | 76,0 | 25,0 | 70 | 144,2 | 200,2 | 43,10 | 14,00 | 12,9 | M16 x 20 | 25,0 | 15,00 | 15,0 | 163630 | 215330 | 7,00 |
| HGH65HA | | | | | | | 120 | 203,6 | 259,6 | 47,80 | | | | | | | 208360 | 303130 | 9,82 |

HGL-CA / HGL-HA

Dar Alçak/Dar Alçak Uzun Bloklar



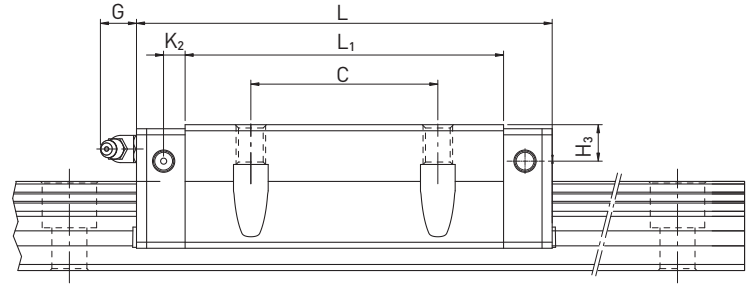
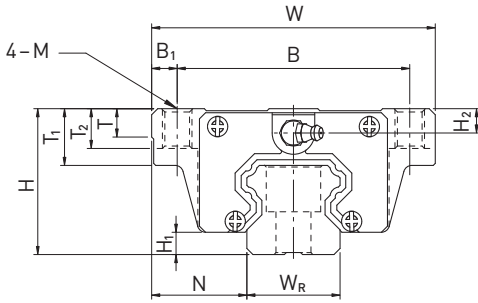
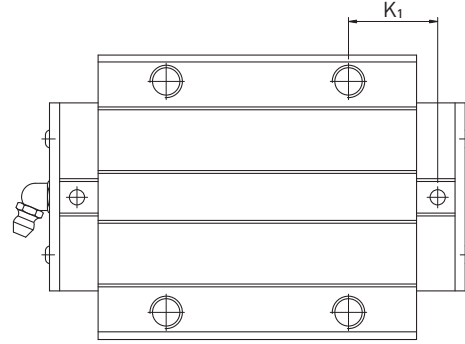
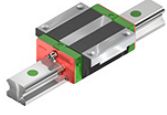
Blok Ölçüleri

| Seri | Montaj Ölç.(mm) | | | Blok ölçüleri (mm) | | | | | | | | | | | | | Yük De eri (N) | | A ır. (kg) |
|---------|-----------------|----------------|------|--------------------|------|----------------|----|----------------|-------|----------------|----------------|------|----------|------|----------------|----------------|------------------|----------------|---------------|
| | H | H ₁ | N | W | B | B ₁ | C | L ₁ | L | K ₁ | K ₂ | G | M x l | T | H ₂ | H ₃ | C _{dyn} | C ₀ | |
| HGL15CA | 24 | 4,3 | 9,5 | 34 | 26,0 | 4,0 | 26 | 39,4 | 61,4 | 10,00 | 4,85 | 5,3 | M4 x 4 | 6,0 | 3,95 | 3,7 | 11380 | 16970 | 0,14 |
| HGL25CA | 36 | 5,5 | 12,5 | 48 | 35,0 | 6,5 | 35 | 58,0 | 84,0 | 15,70 | 6,00 | 12,0 | M6 x 6 | 8,0 | 6,00 | 5,0 | 26480 | 36490 | 0,42 |
| HGL25HA | | | | | | | 50 | 78,6 | 104,6 | 18,50 | | | | | | | 32750 | 49440 | 0,57 |
| HGL30CA | 42 | 6,0 | 16,0 | 60 | 40,0 | 10,0 | 40 | 70,0 | 97,4 | 20,25 | 6,00 | 12,0 | M8 x 10 | 8,5 | 6,50 | 10,8 | 38740 | 52190 | 0,78 |
| HGL30HA | | | | | | | 60 | 93,0 | 120,4 | 21,75 | | | | | | | 47270 | 69160 | 1,03 |
| HGL35CA | 48 | 7,5 | 18,0 | 70 | 50,0 | 10,0 | 50 | 80,0 | 112,4 | 20,60 | 7,00 | 12,0 | M8 x 12 | 10,2 | 9,00 | 12,6 | 49520 | 69160 | 1,14 |
| HGL35HA | | | | | | | 72 | 105,8 | 138,2 | 22,50 | | | | | | | 60210 | 91630 | 1,52 |
| HGL45CA | 60 | 9,5 | 20,5 | 86 | 60,0 | 13,0 | 60 | 97,0 | 139,4 | 23,00 | 10,00 | 12,9 | M10 x 17 | 16,0 | 8,50 | 20,5 | 77570 | 102710 | 2,08 |
| HGL45HA | | | | | | | 80 | 128,8 | 171,2 | 28,90 | | | | | | | 94540 | 136460 | 2,75 |
| HGL55CA | 70 | 13,0 | 23,5 | 100 | 75,0 | 12,5 | 75 | 117,7 | 166,7 | 27,35 | 11,00 | 12,9 | M12 x 18 | 17,5 | 12,00 | 19,0 | 114440 | 148330 | 3,25 |
| HGL55HA | | | | | | | 95 | 155,8 | 204,8 | 36,40 | | | | | | | 139350 | 196200 | 4,27 |

HG serisi

HGW-CC / HGW-HC

Geni /Geni Uzun Bloklar

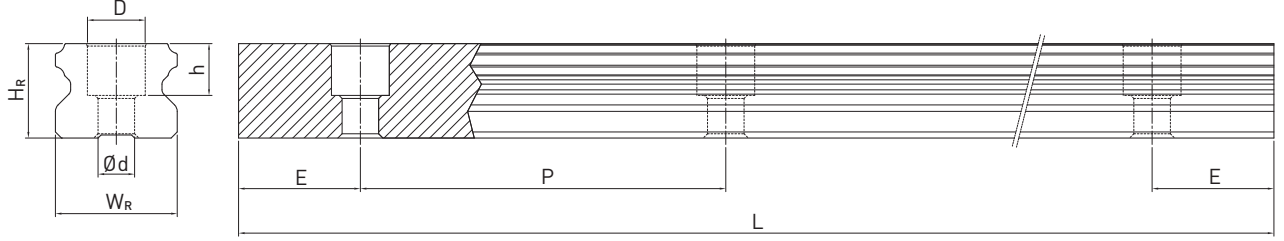


Blok Ölçüleri

| Seri | Montaj Ölç.(mm) | | | Blok ölçüleri (mm) | | | | | | | | | | | | | | | Yük De eri (N) | | A ır. (kg) |
|---------|-----------------|----------------|------|--------------------|-------|----------------|-----|----------------|-------|----------------|----------------|-----|------|------|----------------|----------------|----------------|----------------|------------------|----------------|---------------|
| | H | H ₁ | N | W | B | B ₁ | C | L ₁ | L | K ₁ | K ₂ | M | G | T | T ₁ | T ₂ | H ₂ | H ₃ | C _{dyn} | C ₀ | |
| HGW15CC | 24 | 4,3 | 16,0 | 47 | 38,0 | 4,5 | 30 | 39,4 | 61,4 | 8,00 | 4,85 | M5 | 5,3 | 6,0 | 8,9 | 7,0 | 3,95 | 3,7 | 11380 | 16970 | 0,17 |
| HGW20CC | 30 | 4,6 | 21,5 | 63 | 53,0 | 5,0 | 40 | 50,5 | 77,5 | 10,25 | 6,00 | M6 | 12,0 | 8,0 | 10,0 | 9,5 | 6,00 | 6,0 | 17750 | 27760 | 0,40 |
| HGW20HC | | | | | | | | 65,2 | 92,2 | 17,60 | | | | | | | | | 21180 | 35900 | 0,52 |
| HGW25CC | 36 | 5,5 | 23,5 | 70 | 57,0 | 6,5 | 45 | 58,0 | 84,0 | 10,70 | 6,00 | M8 | 12,0 | 8,0 | 14,0 | 10,0 | 6,00 | 5,0 | 26480 | 36490 | 0,59 |
| HGW25HC | | | | | | | | 78,6 | 104,6 | 21,00 | | | | | | | | | 32750 | 49440 | 0,80 |
| HGW30CC | 42 | 6,0 | 31,0 | 90 | 72,0 | 9,0 | 52 | 70,0 | 97,4 | 14,25 | 6,00 | M10 | 12,0 | 8,5 | 16,0 | 10,0 | 6,50 | 10,8 | 38740 | 52190 | 1,09 |
| HGW30HC | | | | | | | | 93,0 | 120,4 | 25,75 | | | | | | | | | 47270 | 69160 | 1,44 |
| HGW35CC | 48 | 7,5 | 33,0 | 100 | 82,0 | 9,0 | 62 | 80,0 | 112,4 | 14,60 | 7,00 | M10 | 12,0 | 10,1 | 18,0 | 13,0 | 9,00 | 12,6 | 49520 | 69160 | 1,56 |
| HGW35HC | | | | | | | | 105,8 | 138,2 | 27,50 | | | | | | | | | 60210 | 91630 | 2,06 |
| HGW45CC | 60 | 9,5 | 37,5 | 120 | 100,0 | 10,0 | 80 | 97,0 | 139,4 | 13,00 | 10,00 | M12 | 12,9 | 15,1 | 22,0 | 15,0 | 8,50 | 20,5 | 77570 | 102710 | 2,79 |
| HGW45HC | | | | | | | | 128,8 | 171,2 | 28,90 | | | | | | | | | 94540 | 136460 | 3,69 |
| HGW55CC | 70 | 13,0 | 43,5 | 140 | 116,0 | 12,0 | 95 | 117,7 | 166,7 | 17,35 | 11,00 | M14 | 12,9 | 17,5 | 26,5 | 17,0 | 12,00 | 19,0 | 114440 | 148330 | 4,52 |
| HGW55HC | | | | | | | | 155,8 | 204,8 | 36,40 | | | | | | | | | 139350 | 196200 | 5,96 |
| HGW65CC | 90 | 15,0 | 53,5 | 170 | 142,0 | 14,0 | 110 | 144,2 | 200,2 | 23,10 | 14,00 | M16 | 12,9 | 25,0 | 37,5 | 23,0 | 15,00 | 15,0 | 163630 | 215330 | 9,17 |
| HGW65HC | | | | | | | | 203,6 | 259,6 | 52,80 | | | | | | | | | 208360 | 303130 | 12,89 |

HG serisi

HG Linear Yatak Ölçüleri



Üstten Montajlı HG Linear Yatak Ölçüleri

| Seri | Ray Montaj Cıvatası | Linear yatak ölçüleri (mm) | | | | | | Max uzunluk (mm) | Max uzunluk $E_1 = E_2$ | $E_{1/2}$ min [mm] | $E_{1/2}$ max [mm] | A ırlık [kg/m] |
|--------|---------------------|----------------------------|-------|------|------|------|-------|------------------|-------------------------|--------------------|--------------------|----------------|
| | | W_R | H_R | D | h | d | P | | | | | |
| HGR15R | M4 × 16 | 15 | 15,0 | 7,5 | 5,3 | 4,5 | 60,0 | 4000 | 3900 | 6 | 54 | 1,45 |
| HGR20R | M5 × 16 | 20 | 17,5 | 9,5 | 8,5 | 6,0 | 60,0 | 4000 | 3900 | 7 | 53 | 2,21 |
| HGR25R | M6 × 20 | 23 | 22,0 | 11,0 | 9,0 | 7,0 | 60,0 | 4000 | 3900 | 8 | 52 | 3,21 |
| HGR30R | M8 × 25 | 28 | 26,0 | 14,0 | 12,0 | 9,0 | 80,0 | 4000 | 3920 | 9 | 71 | 4,47 |
| HGR35R | M8 × 25 | 34 | 29,0 | 14,0 | 12,0 | 9,0 | 80,0 | 4000 | 3920 | 9 | 71 | 6,30 |
| HGR45R | M12 × 35 | 45 | 38,0 | 20,0 | 17,0 | 14,0 | 105,0 | 4000 | 3885 | 12 | 93 | 10,41 |
| HGR55R | M14 × 45 | 53 | 44,0 | 23,0 | 20,0 | 16,0 | 120,0 | 4000 | 3840 | 14 | 106 | 15,08 |
| HGR65R | M16 × 50 | 63 | 53,0 | 26,0 | 22,0 | 18,0 | 150,0 | 4000 | 3750 | 15 | 135 | 21,18 |